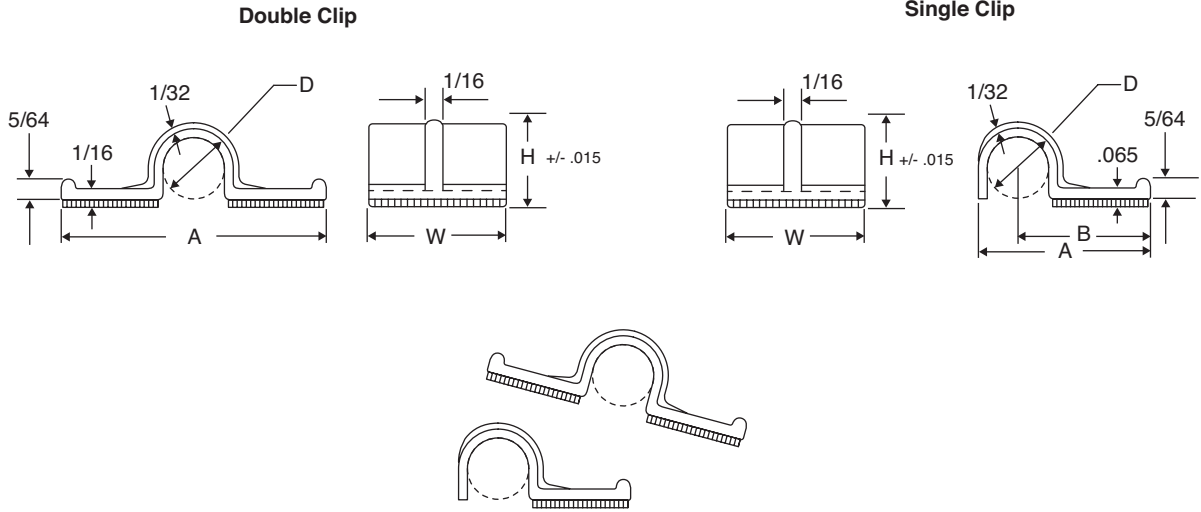


Dimensions: in.



Nylon double and single press clips are the convenient and fast way to install wires and cable to almost any surface. Though, corrosion resistant nylon 6/6 clip is backed with a quality foam adhesive tape. The single clip is designed to be used in areas where space is limited or in corners or edges. The double clip design develops greater shear loads and holding power. Both single and double clips are supplied on easy-to-use perforated liner strips in sets of 6 to 10 pieces. To install, simply pull the clip off of the liner strip and press into places. No holes to drill or screws to turn. Nylon press clips provide a low in-place assembly that is quick and permanent. Polyethylene foam tape has excellent conformability, high temperature and solvent resistance and high ultimate bond strength.

NOTE: 1/32" Adhesive tape, Base Thk. 1/16".

MOUSER Pt. NO.	Description	D	A	H	W
561-DP13037	1/8 Double Clip	0.125 (+/- 0.015)	0.760 (+/- 0.031)	0.216 (+/- 0.015)	0.375 (+/- 0.015)
561-SP13037	1/8 Single Clip	0.125 (+/- 0.015)	0.493 (+/- 0.031)	0.217 (+/- 0.015)	0.375 (+/- 0.015)
561-SP25550	1/4 Single Clip	0.250 (+/- 0.015)	0.865 (+/- 0.031)	0.343 (+/- 0.015)	0.500 (+/- 0.015)
561-SP38562	3/8 Single Clip	0.375 (+/- 0.015)	1.000(+/- 0.031)	0.475 (+/- 0.015)	0.625 (+/- 0.015)
561-SP50575	1/2 Single Clip	0.500 (+/- 0.015)	1.125(+/- 0.031)	0.593 (+/- 0.015)	0.750 (+/- 0.015)